

**SINGLE URINAL ADA COMPLIANT MODEL: U182019C
HEAVY DUTY STAINLESS STEEL 304 BRUSHED FINISH
14 GAUGE (0.0781").**



SPECIFICATIONS:

OPTIONAL BUILT IN PLATE FOR 1/2" BOLTS. BOLTS NOT INCLUDED

BACKSPLASH CLIP:

AT TOP, STAINLESS STEEL 14 GAUGE (0.0781") 4"X17-1/2" INCLUDED, TO ANCHOR TO WALL WITH (6) 2-1/2" SCREWS

STAINLESS STEEL 14 GAUGE (0.0781") ANGLE SHAPE BRACKET 4" X 5" AT BOTTOM TO WALL

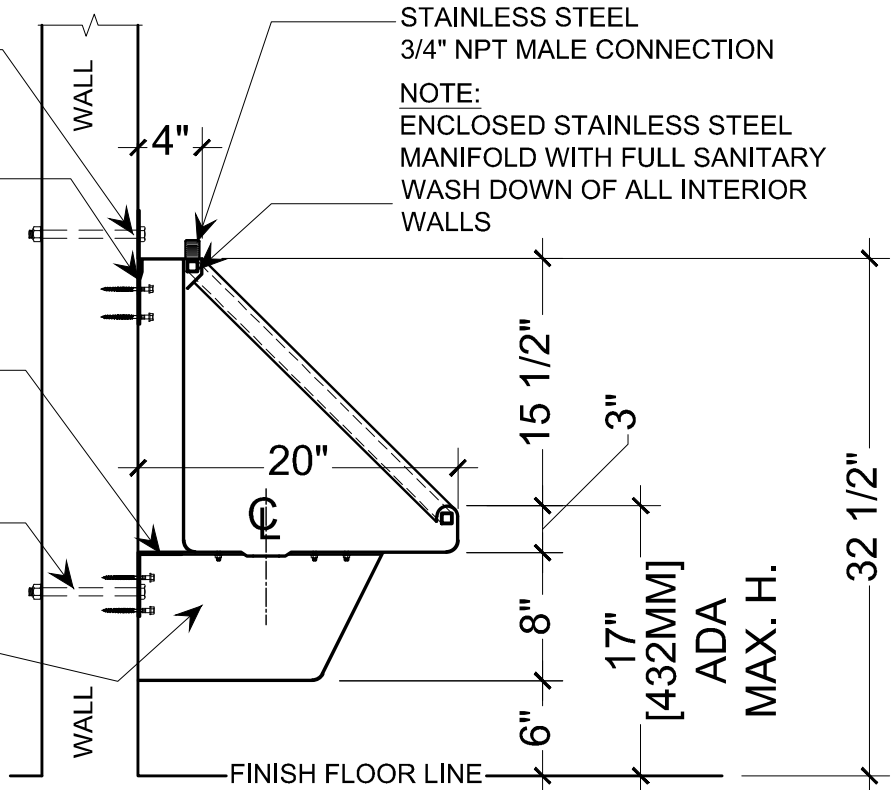
OPTIONAL 1/2" BOLTS. BOLTS NOT INCLUDED

STAINLESS STEEL 14 GAUGE (0.0781") REMOVABLE PIPE CHASE

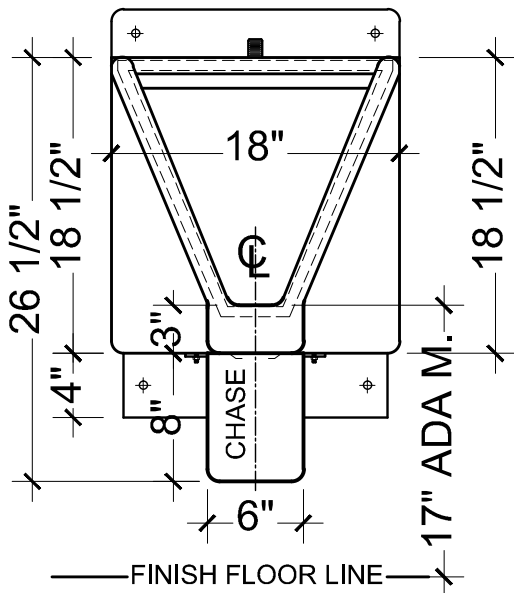
STAINLESS STEEL 3/4" NPT MALE CONNECTION

NOTE:

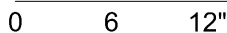
ENCLOSED STAINLESS STEEL MANIFOLD WITH FULL SANITARY WASH DOWN OF ALL INTERIOR WALLS



SECTION VIEW



FRONT VIEW



PERSPECTIVE

INTERIOR AND EXTERIOR SURFACES BRUSHED/POLISHED FINISH

SEAMLESS ROUNDED, FULLY WELDED CORNERS

NOTE:
FLUSH CLOSET VALVE INCLUDED