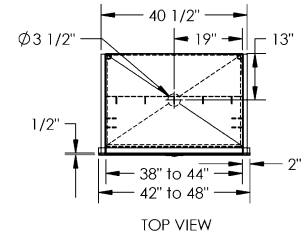
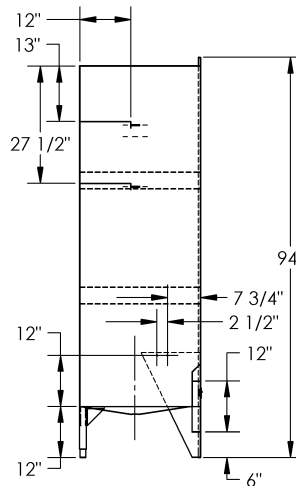


# BSM ENCLOSED MOP SINK

Patent pending No. US10/980,724

## MODEL BSMOP-944824

**YOUR SOLUTION TO SANITATION AND FUNCTIONAL PROBLEMS**



SIDE VIEW

Over the years, restaurant owners have been struggling with sanitation issues either on kitchen floor or behind the back door; water spillage on the floor, deterioration of walls in the surrounding area caused by flooding of washed water and sanitizing liquid, and worse of all, accumulation of bacteria, germs, and bad odors throughout the area. A conventional compartment sink will not solve the problem, since with this type of sink working environment is unsafe, slippery and you face the possibility of down-grading from Health Department. These problems keep increasing each and every time and there are no other solutions out in the market to effectively correct it, besides what we have create it.

The solution that BSM has created is unique – **A FULLY ENCLOSED MOP SINK**. Excellent idea to fit it between your existing two walls or you can get the optional finished side panels, so you do not have to construct new walls. Its stainless steel walls with round edges inside prevents any collection of bacteria, germs and grime. It is large enough that you can hang and wash up to 5 floor mats inside. Even more, it has pin hangers for two floor mops and two utility shelves to store cleaning products. .

**BUY ONE TODAY AND SEE THE DIFFERENCE !**

### Mop sink specification and features:

HEIGHT	94"
OPENING	80"x 24" to 80"x 48"
NO. OF SHELF	2
NO. OF PIN HANGERS	8

- Overall 18 GA. 304 stainless steel #4 finish.
- 94"H x 48"W. with actual opening up to 80"x48"
- Heavy duty and adjustable rear legs with triangular support
- Inside edges coved 9/16" radius.
- Two 12"x 44" shelves.
- Access plumbing door opening on this model
- Drain hole ( 3-1/2")
- **Customs and options are available.**
- **NSF & ETL approved**

**BSMSS.COM**

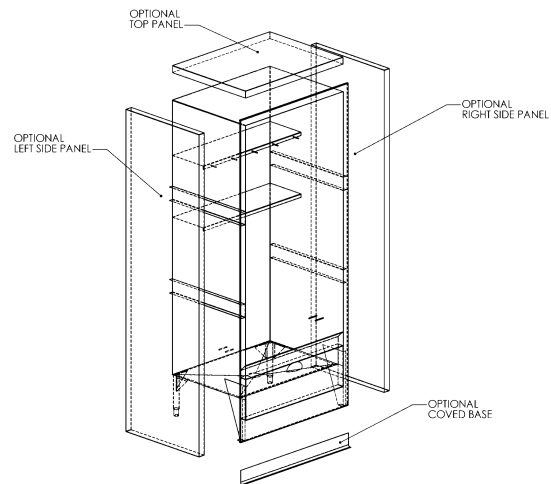
BEST SHEET METAL, INC.  
1500 E. FIRST STREET  
POMONA, CA 91766

Tel: (909) 397-8816 Fax: (909) 622-3286

**Standard features:**

- Single continuous piece.
- 80"x48" opening
- Heavy duty and adjustable rear legs and triangle support plates on two sides.
- Inside edges coved 9/16" radius.
- Two (2) 12"x44" shelves.
- Three (3) 5/16" pin hangers on top shelf and (5) pin hangers on bottom shelf.
- Two (2) 5/16" pin hangers on left and two (2) on right side of the panel for mops.
- 3-1/2" drain hole with 12" clearance between the bottom of the mop sink to the floor for easy installation of plumbing

**Options:**     Side panels available in case you don't have side wall(s) built-in.



- (I) Finished left side panel
- (II) Finished right side panel
- (III) Finished top panel
- (IV) Stainless steel covered base

**Specification & Price:**

<u>Model #</u>	<u>Height</u>	<u>Inside Width</u>	<u>Depth</u>	<u>Price (\$)</u>
<b>BSMOP-944828</b>	94"	44"	28"	\$2,490
Options				
Finished left side panel	94"	N/A	28"	\$425
Finished right side panel	94"	N/A	28"	\$425
Finished top panel	N/A	48"	28"	\$325
S/S Base Full wrap around (L, F, R)	N/A	N/A	N/A	\$275
S/S Base Left or Right Piece	N/A	N/A	N/A	\$165
Front only	N/A	N/A	N/A	\$165

**\*Custom sizes are available from 28" to 48" width.**

**BSMSS.COM**

BEST SHEET METAL, INC.  
 1500 E. FIRST STREET, POMONA, CA 91766  
 Phone: (909) 397-8816 Fax: (909) 622-3286