

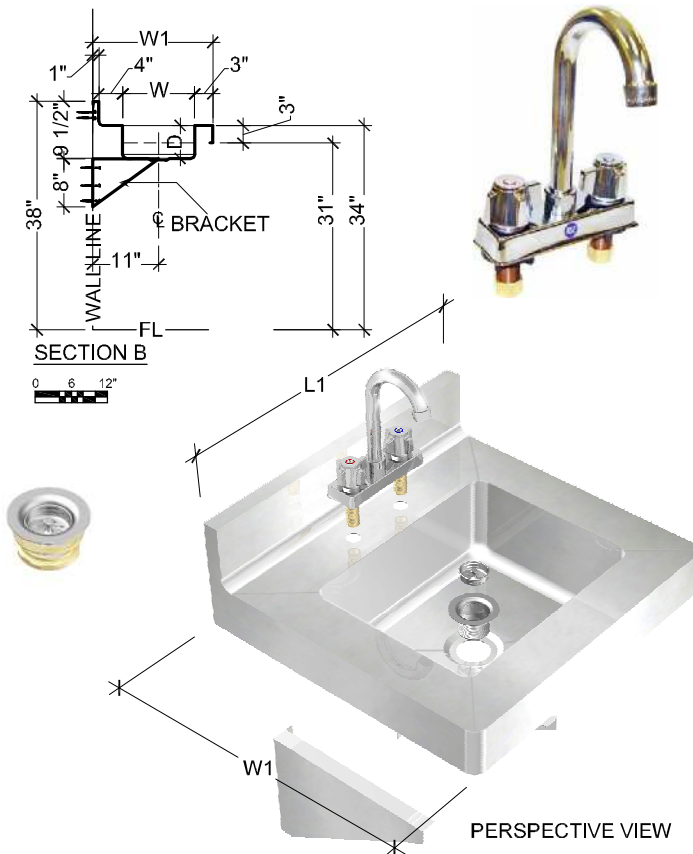
14 GA HEAVY DUTY STAINLESS STEEL HAND SINK 2019



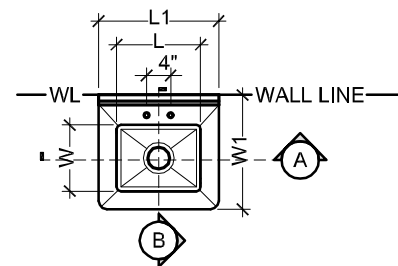
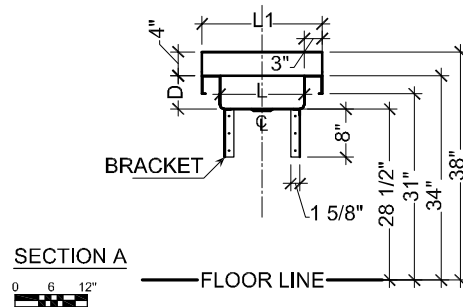
SPECIFICATIONS:

1. **BODY:**
STAINLESS STEEL TYPE 304, GAGE #14, BRUSH FINISH.
2. **BOWL:**
ONE BOWL
WELDED 3/4" RADIUS CORNERS, PITCHED
TO DRAIN HOLES 2" OF DIAMETER,
3. **BACKSPLASH:**
4" HEIGHT X 1" WIDE
4. **FAUCET LOCATION**
TWO HOLES DIAMETER 7/8" PER PLANS, 4" ON CENTER
5. **INSTALLATION AT WALL:**
2 CLIPS STAINLESS STEEL 14 GAUGE 4"x4" WITH 2 SCREWS
INCLUDED, BRACKETS 11"x1-5/8"x8" AT STUD WALL OR
BLOCKING WITH 3 SCREWS INCLUDED.

| TABLE HS-BSI (ALL DIMENSIONS IN INCHES) | | | | | | |
|---|---------|----|-------------|---------|-------|--------------|
| MODEL | GENERAL | | BOWL | FAUCETS | HOLES | PRICE USA \$ |
| | L1 | W1 | L x W x D | | | |
| BSMHS2019 | 20 | 19 | 14X11X5-1/2 | 1 | 2 | 485.00 |



NOTE:
PLEASE CHECK OUR WEBSITE FOR OTHER MODELS. WE CAN
ALSO MANUFACTURE ANY CUSTOM MADE DESIGN. FAST
CONSTRUCTION TIME.



PLAN VIEW
0 6 12"