

SINGLE COMPARTMENT SINK / WITH DRAINBOARDS



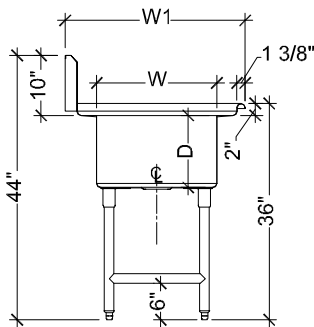
SPECIFICATIONS:

1. **BODY:**
STAINLESS STEEL TYPE 304 GAGE #14 OR #16
SATIN FINISH.
2. **BOWL:**
ONE BOWL
WELDED 3/4" RADIUS CORNERS, PITCHED
TO DRAIN HOLES 3-1/2" OF DIAMETER
3. **BACKSPLASH:**
10" HEIGHT X 2" WIDE
WITH 45° SLOPE AT TOP.
4. **DRAINBOARDS**
INTEGRAL DRAINBOARDS WITH SLOPE
OPTIONS: BOTH SIDES, LEFT, RIGHT, OR NONE.
5. **LEGS:** 4 TUBULAR LEGS #16 GAGE WITH DIAMETER 1-5/8
O.D. WITH STRAIGHT SHAPE
BRACED EACH PAIR WITH WELDED HORIZONTAL TUBULAR
CHANNEL, 6" OVER THE FLOOR, WITH BULLET SHAPE FEET
BASE ADJUSTABLE 1" HEIGHT
6. **FAUCET LOCATION**
2 HOLES ON BACKSPLASH DIAMETER 7/8" AT 8" ON CENTER
PER PLANS, FAUCETS NOT INCLUDED

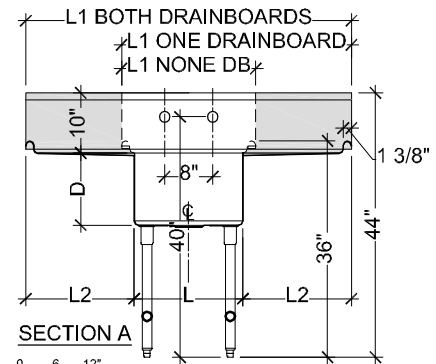
7. **INSTALLATION AT WALL:**
2 CLIPS STAINLESS STEEL 14 GAUGE INCLUDED

TABLE S-II (ALL DIMENSIONS IN INCHES)							
MODEL	GENERAL		BOWL	DRAINBOARDS			
	L1	W1	L x W x D	QTY.	SIDES	L2	
S14GA54X24-1B	54	24	18X18X12	2	BOTH	18	
S14GA38X24-1L	38	24	18X18X12	1	LEFT	18	
S14GA38X24-1R	38	24	18X18X12	1	RIGHT	18	
S14GA22X24-1N	22-1/2	24	18X18X12	0	NONE	0	

PLEASE CHECK OUR WEBSITE FOR OTHER MODELS. WE CAN ALSO MANUFACTURE ANY CUSTOM MADE DESIGN. FAST CONSTRUCTION TIME.



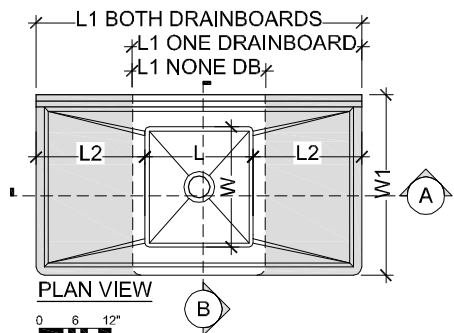
SECTION B



SECTION A



ISOMETRIC VIEW



PLAN VIEW

